

1

THIS COPY IS PROVIDED ON A RESTRICTED BASIS AND IS NOT TO BE USED IN ANY WAY DETRIMENTAL TO THE INTERESTS OF PANDUIT CORP.

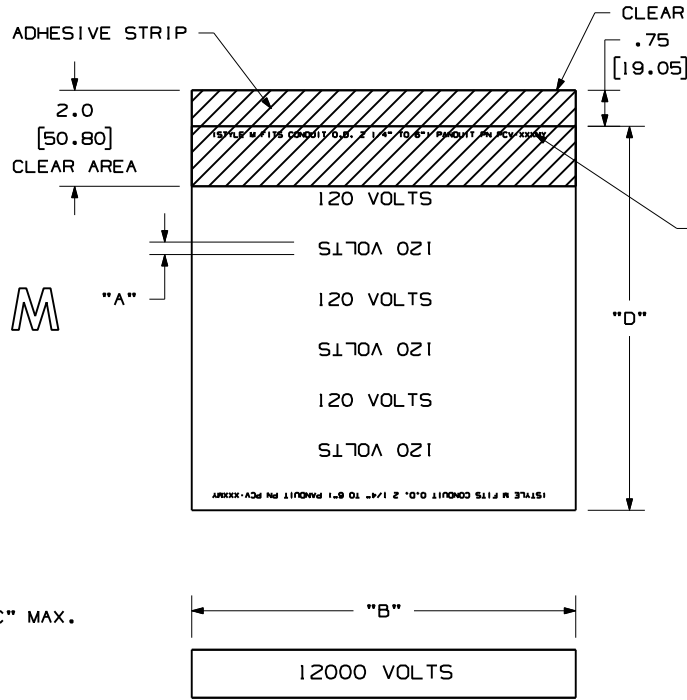
PART NUMBER	STYLE	"A"	"B" +/- .15	"C" MAX.	"D" +/- .15	LEGEND	MARKER PER CARDS	STD. PKG. QTY.
PCV-120RY	R	0.75 [19.1]	8.00 [203.2]	.63 [16.0]	8.00 [203.2]	120 Volts	1	5
PCV-480RY	R	0.75 [19.1]	8.00 [203.2]	.63 [16.0]	8.00 [203.2]	480 Volts	1	5
PCV-FORY	R	0.75 [19.1]	8.00 [203.2]	.63 [16.0]	8.00 [203.2]	Fiber Optic	1	5
PCV-FOMY	M	1.50 [38.1]	14.00 [355.6]	2.00 [50.8]	23.00 [584.2]	Fiber Optic	1	5

NOTES:
 1. MILLIMETER ARE IN [].
 2. COLORS ARE SAFETY ORANGE FOR BACKGROUND AND SAFETY BLACK FOR THE LETTERING.

1

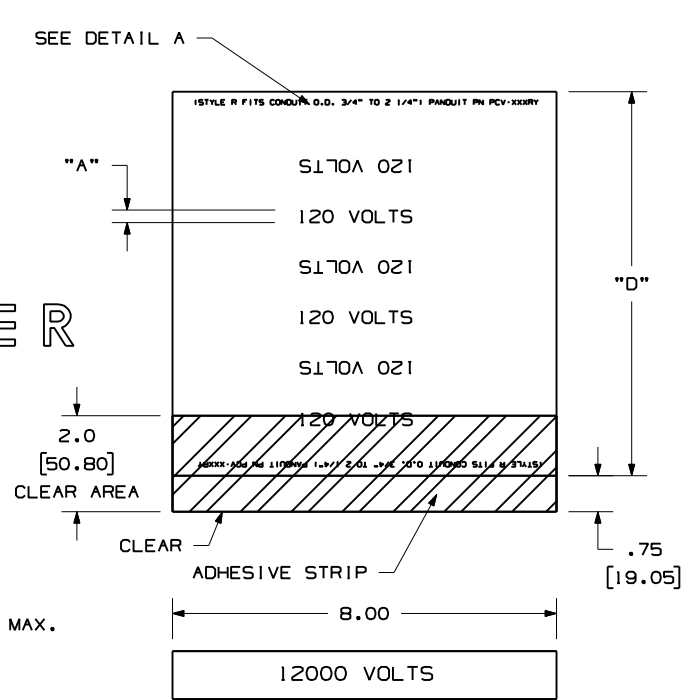
1

STYLE M



1

STYLE R



DETAIL "A"

(STYLE M FITS CONDUIT O.D. 2 1/4" TO 6") PANDUIT PN PCV-XXXMY
 (STYLE R FITS CONDUIT O.D. 3/4" TO 2 1/4") PANDUIT PN PCV-XXXRY

CAD FILENAME/LAYERS		1002811V-DC-C10718/04B	
 CORP. TINLEY PARK, ILLINOIS			
CUSTOMER DRAWING PCV PIPE MARKER PCV-***MY & PCV-***RY			
UNLESS OTHERWISE SPECIFIED, DIMENSIONAL TOLERANCES ARE:		UNLESS OTHERWISE SPECIFIED, ALL DIMENSIONS ARE GIVEN IN INCHES, THIRD ANGLE PROJECTION.	
(.X) ± .12 (.XXX) ± .025 (.XX) ± .062 ANGLES ± 5°			
1	3/26/10	RVU	COMBINE FROM C10719 TO C10718. OBSOLETE C10719.
0	7/14/08	RVU	DRAWING RELEASE.
REV	DATE	BY	CHK
DESCRIPTION		ECN	R CUST SUP
DRAWN BY		MAT'L:	
DATE		GMV4	
CHK'D		SCALE	
		NTS	
		DRAWING NO.	
		C10718	
		DWG SIZE	
		A	